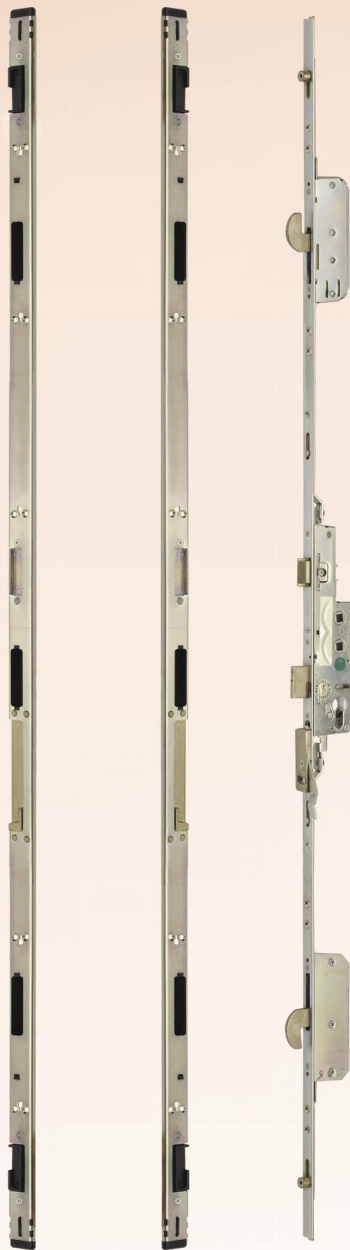


Avocet Sashlifter One Piece Door Lock & Full Length Keep

Right Keep Left Keep DBAV352HB
ONE PIECE KEEP



EAFLK2R EAFLK2L

CODES	OPERATION	BACKSET (MM)	KEEPS						
			COMBINED CENTRE	MUSHROOM CAMS	ROLLER CAMS	DEAD BOLT	HOOKS	OPTIONAL SHOOT BOLT	OPTIONAL CORNER BOLT
DBAV352HB	LEVER ACTION/LEVER PAD/SASH LIFTER	35	1	0	2	0	2	2	2

Door locks and keep supplied as one-piece.

Avocet Sashlifter One Piece Door Lock & Full Length Keep

- Has a unique mechanism that maintains correct sash to frame alignment ensuring trouble free operation
- Two opposing hooks and centre deadbolt with anti-saw pins for enhanced security
- 20mm Deadbolt throw
- Two roller cams for effortless sealing
- Reversible centre latch for unhandled operation
- Suitable for lever-lever or lever-pad applications
- Can be fitted with shootbolts
- **One piece keep with back boxes**
- 35mm backset suits majority of profiles

Technical Information

KEY TO PRODUCT CODES

- Sashlifter Doorbolt - DBAV352HB
- Left Hand - Sashlifter One Piece Keep - EAFLK2L
- Right Hand - Sashlifter One Piece Keep - EAFLK2R

ADDITIONAL INFORMATION

6 Profile related packers required per keep (for packers please contact your sales advisor)

For compatible handles please refer to the Avocet Platinum range on page 36 and the MB range on page 38

For routing instructions see page 30

Doorbolt Material/Coating Specification

- Face Plate: Steel C1008
- Drive Rod: Steel C1008
- Keep Backbox: Nylon

Keep Specification

- Keep Body: Steel C1008
- Standard Backbox: Nylon 6
- Centre Latch: Zinc Alloy BS1004A
- Sashlifter Receiver: Brass
- Roller Keeps: Zinc Alloy BS1004A (MAZAK 3)
- Screw: Mild Steel
- Nut: Mild Steel

Assessment Data

Avocet Doorbolt: Tested to 60,000 full locking/unlocking cycles. Latch operation tested to 500,000 cycles.



Fitting Instructions - Sashlifter Doorbolt

Doorbolt

- 1 The doorbolt is supplied with the latch positioned to suit a right hand application. (Handing defined by the position of the hinges viewed from the opening side).
- 2 To change the handing it is necessary to remove the latch retention screw and reposition the latch, using a 2.5mm socket wrench. Fit doorbolt and cylinder followed by handles to door sash.
- 3 The full-length keeps supplied with this product must be ordered in either left or right hand format. Each keep will be supplied with the correct hand of sashlifter. (LH Keep-LH Sashlifter or RH Keep-RH Sashlifter). The sashlifter is fitted to the faceplate of the doorbolt, immediately below the cylinder fixing screw, and held in position with the M5 screw supplied. (Always ensure that the cylinder is fitted prior to fitting sashlifter).

Door Installation

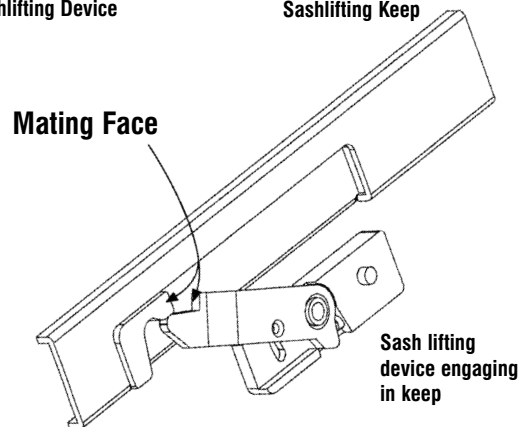
- 1 Fit the frame plumb and square and locate the sash ensuring that it closes parallel to the outer frame when viewed from the side. Ideally the sash should come to rest close to the frame and not spring away unduly as this would indicate hinge bind.
- 2 Check that the glass or PVCu panel has been glazed using the toe and heel principle, details of which can be obtained from page 33.
- 3 Close sash and check that the horizontal line on the doorbolt faceplate lines up with the centre line mark on the keep. If not, slacken the three alignment fixings in the keep and reposition to correct alignment. Fit the remaining fixings to the keep.
- 4 Close sash and check that the sashlifter actuating arm makes good contact with its mating face on the keep. If it does not, adjust the hinges to suit.
- 5 Check that the latch keep is adjusted to ensure that it engages with the latch without bowing the sash jamb and that there is no free movement. Adjust if necessary to ensure that the adjustable roller keeps are positioned to smoothly pull the door sash into its correct alignment and provide an effective seal.

Sashlifter Doorbolt



Sashlifter Device

Sashlifter Keep



In Factory Fitting of Keep

- 1 To enable the one piece keep to be fitted to a given profile it may be necessary to fit a plastic packer (ordered separately to suit profile used), position packers by inserting through slot in the back of the keep and sliding either upwards or downwards to lock in position.
- 2 The door sash should be positioned equally within the outer frame. The horizontal line marked on the keep should be aligned with the horizontal line marked on the faceplate of the doorbolt. Three fixing alignment slots have been incorporated in the keep and these should be used to temporarily secure the keep, through the centre of the slot, prior to installation.

The doorbolt with sashlifter has been designed to cater for a sash drop of 5mm without any assistance being given by the sashlifter, when the keep and doorbolt are positioned correctly as described above. If the sash drops more than the original 5mm then the sash lifter will raise by the corresponding amount to ensure the optimum relationship between sash and frame is maintained.